

FULFLO® “LT” SERIES

Fulflo® polymeric vessels for water filtration



Parker Fulflo® LT Series Polymeric Vessels are an ideal economical choice for low flow industrial and potable water applications. Standard and large diameter vessels accommodate 2-1/2 and 4-1/2 inch O.D. double-open-end Fulflo cartridges and meet FDA requirements for use with potable fluids. Both 10-in and 20-in vessels, with or without pressure relief vent, are available. Installation wrenches and brackets are optional.

BENEFITS

- Fulflo® polymeric vessels are available in two diameters and lengths, with or without relief vent
- The all polymeric, corrosion-resistant LT series vessels are economical alternatives to stainless steel vessels when high temperature and high pressure are not specified
- All models are made of materials that meet FDA requirements
- The LTG model vessels provide both 1 in and 1-1/2 in NPT connection in same head
- Positive head-to-shell "stop" prevents over tightening
- Unique O-ring design ensures effective sealing by positive tangential contact and eliminates accidental misplacement
- LT model vessels are ideal for Fulflo® bonded, pleated and wound cartridges, as well as activated carbon core models MMCT-10, MC10-2, MC20-2 and MC30-2
- LTG model vessels are ideal for Fulflo® TruBind® 400 series cartridges and 4-1/2 in O.D. wound cartridges in double-open-end style
- Optional installation wrenches accommodate faster cartridge Changeout
- Mounting brackets are available for pipe and wall installation
- LT series vessels are tested to industry standards of Water Quality Association for burst pressure, seal integrity, and fatigue resistance

APPLICATIONS

- | | |
|-----------------|---|
| • Potable water | • Post oil/water separator polishing |
| • Beverages | • Leisure/commercial shipping bilge water |
| • Bottled water | • Industrial discharge water |
| • DI water | • Compressor condensate |
| • Food products | • Alkaline parts washing |
| • Process water | |

SPECIFICATIONS

Materials of Construction:

White talc-reinforced polypropylene head with clear styrene Acrylonitrile (SAN) shell.

Recommended Operating Conditions:

Maximum operating temperature: 125°F (52°C) @ 100 psi (6.9 bar)

Maximum operating pressure: LT:150 psi (10.3 bar) @ 75OF (22OC)

LTG: 125 psi. (8.6 bar) @75OF (22OC)

Maximum Recommended Flow Rate:

LT10 6 gpm (23 lpm)

LT20 12 gpm (45 lpm)

LTG10 10 gpm (38 lpm)

LTG20 20 gpm (76 lpm)

Connection Dimensions

LT 3/4 in NPTF

LTG 1 and 1 1/2 in NPTF (dual connection)

Head-to-shell O-ring:

LT model 2-240 Buna N

LTG model 2-358 Buna N

Accepts Industry Standard Cartridge Sizes (Nominal):

Lengths

- 9 13/16 in (249 mm)

- 20 in (508 mm)

I.D.

- 1 1/16 in (27 mm)

O.D.

- 2 1/2 in (64 mm) - LT

- 4 1/2 in (114 mm) - LTG

FULFLO® "LT" SERIES

Fulflo® polymeric vessels for water filtration

PERFORMANCE ATTRIBUTES

Available Options for LT Model

Option	Part Number
Wrench for 10 in Shell	6880-1-005
Wrench for 20 in Shell	6880-1-010
L-Bracket - Wall Mount	0820-6010
U-Bracket - Pipe Mount	0820-6015

Available Options for LTG Model

Option	Part Number
Wrench for 10 in Shell	6880-6000
Wrench for 20 in Shell	6880-6001
L-Bracket - Wall Mount	0820-6001

Available Vessel Part Numbers

LT Model	LTG Model
LT10	LTG10
LT10V	LTG10V
LT20	LTG20
LT20V	LTG20V

ORDERING INFORMATION

Series		Vessel Length		Vent (in)	
CODE	DESCRIPTION	CODE	INCH	CODE	DESCRIPTION
LT	Vessel for nominal 2 1/2 in O.D. cartridges	10	10	Blank	No Vent
LTG	Vessel for nominal 4 1/2 in O.D. cartridges	20	20	V	Vent

TECHNICAL SUPPORT AND PRODUCT INFORMATION

Parker provides our customers with unsurpassed product consistency and cost efficiency. Our experienced professionals can help you select the right solution for your application. Orders can be emailed directly to PAFsales@parker.com. For additional information contact your local distributor. Information on product specifications, applications and chemical compatibility can be found on our web site at www.parker.com or through the Oxnard office.

Parker designs and manufactures an extensive line of innovative solutions for specific applications in the Microelectronics, Biopharmaceutical, Food and Beverage, Coatings and Inks, Process and Chemical industries.

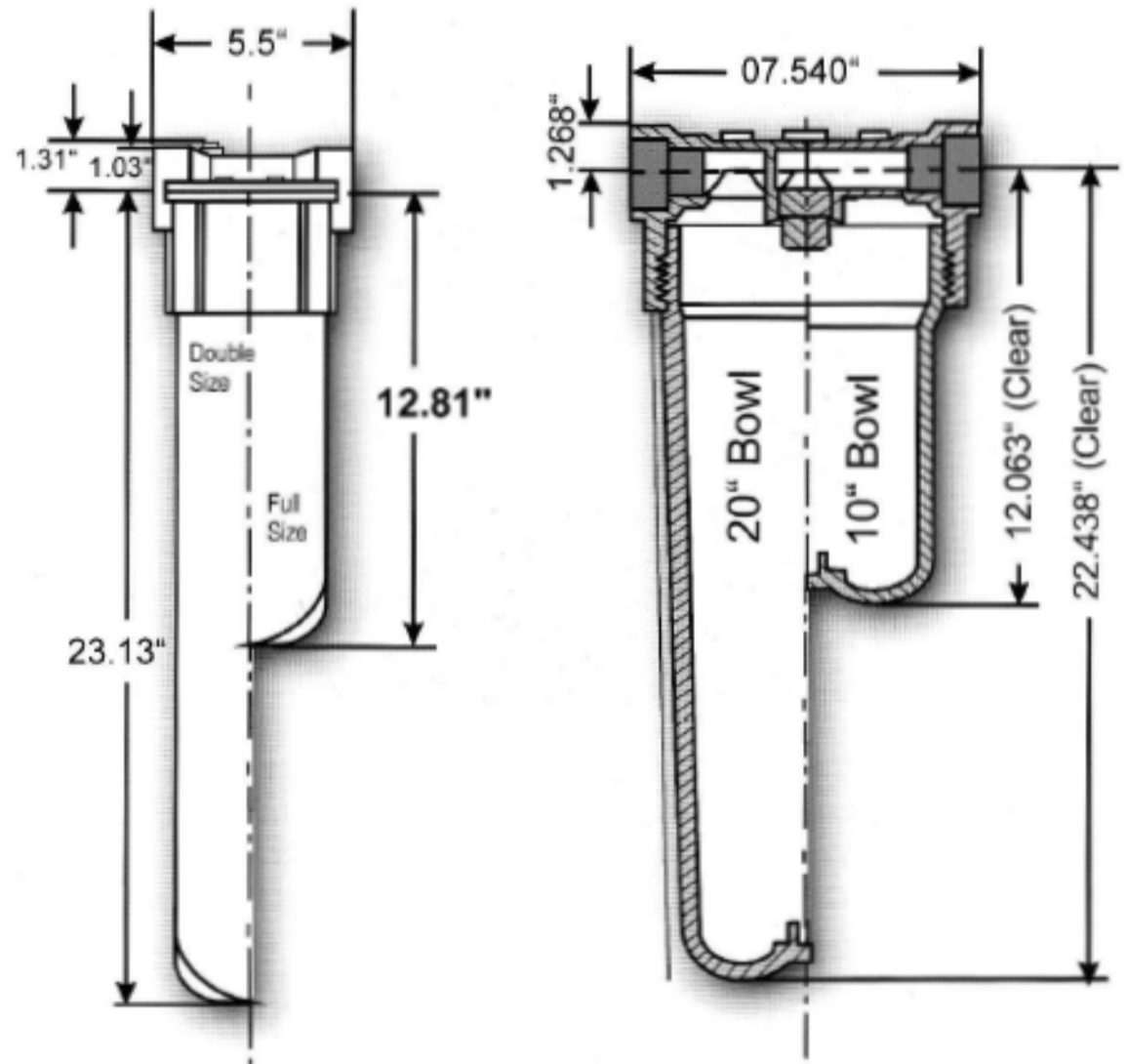
DISTRIBUTED BY:

FISCHER-ROBERTSON, INC.

3890 Symmes Rd. Hamilton, Ohio 45015 USA
 p: 513-860-3445 f: 513-860-4744
www.fischer-robertson.com
sales@fischer-robertson.com

Specifications are subject to change without notification.
 Fulflo® is a registered trademark of Parker Hannifin Corporation.
 Viton® is a registered trademark of E.I. DuPont de Nemours & Co., Inc.
 © 2007 Parker Hannifin Corporation.

SPEC-C-3050-FB Rev. A 9/07



Model LT

Model LTG

