



# Conversion:

## Facet/Fram VFCS Series Filter Separator Keene (Bowser) 852 Series Filter Separator

***Velcon Filters Inc. element systems installed in the above units have provided radical improvements in fuel filtering efficiency and reliability. Field and laboratory tests have proven the elements in this system to be superior in all important filtering functions!***

**For API-1581 Group II Requirements,  
refer to Velcon's API Vessel/Element List,  
or Contact our Colorado Springs Office.**

**PRESSURE SURGE PROTECTION** – with normal field installation, test results show no gasket leaks even at 75 psi differential!

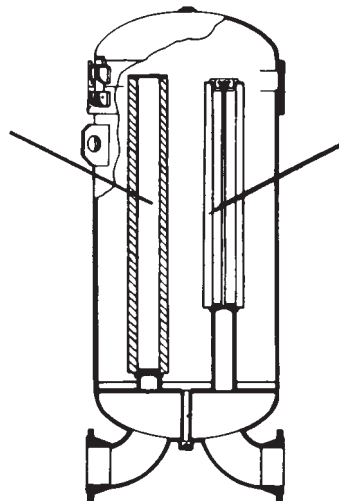
**EASIER INSTALLATION** – simple mechanical design results in lower installation and maintenance costs.

**INTEGRAL END CAP** – special epoxy bonding insures greater dependability.

**GREATER CAPACITY – LONGER LIFE** – unique grooved design permits total utilization of all filtering surfaces.

**COMPETITIVELY PRICED.**

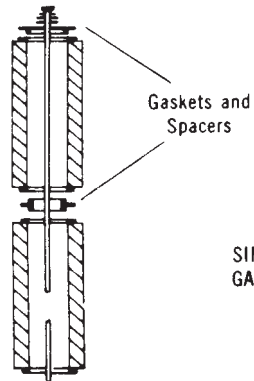
**FIRST STAGE** – Velcon Filters Inc. threaded end type "T" series element replaces 2, 3, or 4 FACET/FRAM or KEENE elements. One piece open end cartridges with flat gaskets are also available.



**SECOND STAGE** – Velcon Filters Inc. Teflon coated screen or pleated paper separators, replacement for FACET/FRAM disposable paper separators.

# Comparison of old short filter cartridges and new single element replacement by Velcon Filters.

Battery of short elements and gaskets. This is eliminated with improved Velcon system.



Gaskets and Spacers

Velcon "T" Series (simple adapter bolts to bulkhead)



SINGLE GASKET

| FACET/FRAM MODEL #               | COALESCER CARTRIDGES |          |          |          | SEPARATOR CARTRIDGES   |                  | COVER GASKET |
|----------------------------------|----------------------|----------|----------|----------|------------------------|------------------|--------------|
|                                  | QTY*                 | 2 SERIES | 4 SERIES | 6 SERIES | TEFLON COATED SCREEN** | PLEATED PAPER    |              |
| VFCS-458-6N11                    | 3                    | I-6282TB | I-6284TB | I-6286TB | 2 of SO-629C           | 2 of SO-629PLF3  | G-0400       |
| VFCS-659-4K21 (or 4E2)           | 4                    |          | I-6224TB |          | 3 of SO-623C           | 6 of SO-611PLF3  | G-0073       |
| VFCS-658-4K21 (or 4E2)           | 4                    |          | I-6224TB |          | 3 of SO-629C           | 3 of SO-629PLF3  | G-0073       |
| VFCS-658-4N21                    | 4                    | I-6282TB | I-6284TB | I-6286TB | 3 of SO-629C           | 3 of SO-629PLF3  | G-0073       |
| VFCS-859-6K21 (or 6E2)           | 6                    |          | I-6224TB |          | 4 of SO-623C           | 8 of SO-611PLF3  | G-0169       |
| VFCS-858-6N21 (or 6A2)           | 6                    | I-6282TB | I-6284TB | I-6286TB | 4 of SO-629C           | 4 of SO-629PLF3  | G-0169       |
| VFCS-861-6N21 (or 6A2)           | 6                    | I-6282TB | I-6284TB | I-6286TB | 4 of SO-633C           | 4 of SO-633PLF3  | G-0169       |
| VFCS-1059-18K11 (or 18E1)        | 6                    |          | I-6334TB | I-6336TB | 5 of SO-623C           | 10 of SO-611PLF3 | G-0059       |
| VFCS-1059-18N11 (or 18A1)        | 6                    | I-6442TB | I-6444TB | I-6446TB | 5 of SO-623C           | 10 of SO-611PLF3 | G-0059       |
| VFCS-1061-18N11 (or 18A1)        | 6                    | I-6442TB | I-6444TB | I-6446TB | 5 of SO-633C           | 5 of SO-633PLF3  | G-0059       |
| VFCS-1559-12K21 (or 12E2 or 6E4) | 6                    | I-6442TB | I-6444TB | I-6446TB | 5 of SO-633C           | 5 of SO-633PLF3  | G-0059       |
| VFCS-1559-12N21                  | 6                    | I-6562TB | I-6564TB | I-6566TB | 5 of SO-633C           | 5 of SO-633PLF3  | G-0059       |
| VFCS-1558-12N21 (or 12A2)        | 6                    | I-6562TB | I-6564TB | I-6566TB | 5 of SO-643C           | 5 of SO-643C     | G-0059       |
| VFCS-1561-12K21 (or 12E2)        | 6                    | I-6442TB | I-6444TB | I-6446TB | 5 of SO-648C           | 15 of SO-616PLF3 | G-0059       |
| VFCS-1561-12N21 (or 12A2)        | 6                    | I-6562TB | I-6564TB | I-6566TB | 5 of SO-648C           | 15 of SO-616PLF3 | G-0059       |
| VFCS-2159-24N11 (or 24A1)        | 8                    | I-6442TB | I-6444TB | I-6446TB | 7 of SO-633C           | 7 of SO-633PLF3  | G-0072       |
| VFCS-2158-24N11 (or 24A1)        | 8                    | I-6442TB | I-6444TB | I-6446TB | 7 of SO-643C           | 7 of SO-644PLBZ  | G-0072       |
| VFCS-2759-33N11 (or 33A1)        | 11                   | I-6442TB | I-6444TB | I-6446TB | 9 of SO-633C           | 9 of SO-633PLF3  | G-0072       |
| VFCS-2758-24A2 (or 22N21)        | 12                   | I-6562TB | I-6564TB | I-6566TB | 9 of SO-643C           | 9 of SO-644PLBZ  | G-0072       |
| VFCS-2758-33N11 (or 33A1)        | 11                   | I-6442TB | I-6444TB | I-6446TB | 9 of SO-643C           | 9 of SO-644PLBZ  | G-0072       |
| VFCS-2461-45N11 (or 45A1)        | 15                   | I-6442TB | I-6444TB | I-6446TB | 12 of SO-633C          | 12 of SO-633PLF3 | G-0066       |
| VFCS-4258-34N21 (or 34A2)        | 17                   | I-6562TB | I-6564TB | I-6566TB | 14 of SO-643C          | 14 of SO-644PLBZ | G-0500       |
| BOWSER MODEL #                   | QTY*                 | 2 SERIES | 4 SERIES | 6 SERIES | TEFLON COATED SCREEN** | PLEATED PAPER    | COVER GASKET |
| BFS-852-4/3-200                  | 2                    | I-6442TB | I-6444TB | I-6446TB | 1 of SO-643C           | 1 of SO-644PLBZ  | G-0471       |
| BFS-852-6/6-300                  | 3                    | I-6442TB | I-6444TB | I-6446TB | 2 of SO-643C           | 2 of SO-644PLBZ  | G-0470       |
| BFS-852-8/6-400                  | 4                    | I-6442TB | I-6444TB | I-6446TB | 2 of SO-643C           | 2 of SO-644PLBZ  | G-0470       |
| BFS-852-10/9-500                 | 5                    | I-6442TB | I-6444TB | I-6446TB | 3 of SO-643C           | 3 of SO-644PLBZ  | G-0009       |
| BFS-852-12/9-600                 | 6                    | I-6442TB | I-6444TB | I-6446TB | 3 of SO-643C           | 3 of SO-644PLBZ  | G-0009       |
| BFS-852-16/12-800                | 8                    | I-6442TB | I-6444TB | I-6446TB | 4 of SO-643C           | 4 of SO-644PLBZ  | G-0452       |
| BFS-852-20/15-1000               | 10                   | I-6442TB | I-6444TB | I-6446TB | 5 of SO-643C           | 5 of SO-644PLBZ  | G-0452       |
| BFS-852-24/18-1200               | 12                   | I-6442TB | I-6444TB | I-6446TB | 6 of SO-643C           | 6 of SO-644PLBZ  | G-0418       |
| BFS-852-28/21-1400               | 14                   | I-6442TB | I-6444TB | I-6446TB | 7 of SO-643C           | 7 of SO-644PLBZ  | G-0418       |

**NOTE:** USE 6 SERIES FOR MIL-F-8901 AND API GROUP I REQUIREMENTS.

For API Group II Requirements, refer to Velcon's API Vessel/Element list or contact our Colorado Springs Office.

\* Order one 6000T adapter set for each coalescer required for the initial installation.

\*\* Not recommended for use with 2 Series Coalescers.

Fischer-Robertson, Inc.  
3890 Symmes Road  
Hamilton, Ohio 45015  
p: 513-860-3445  
f: 513-860-4744  
sales@fischer-robertson.com  
www.fischer-robertson.com

COMPANY HEADQUARTERS:  
Velcon Filters, Inc. 4525 Centennial Blvd.  
Colorado Springs, CO 80919-3350  
Phone: 1.800.531.0180  
Fax: 719.531.5690  
e-mail: vfsales@velcon.com  
www.velcon.com

MANUFACTURING PLANTS LOCATED AT:  
Colorado Springs, Colorado  
Sylacauga, Alabama  
Harlingen, Texas

OVERSEAS AFFILIATES:  
Frankfurt/M., W. Germany & Singapore

**Liquid Filtration  
and Separation  
Specialists**