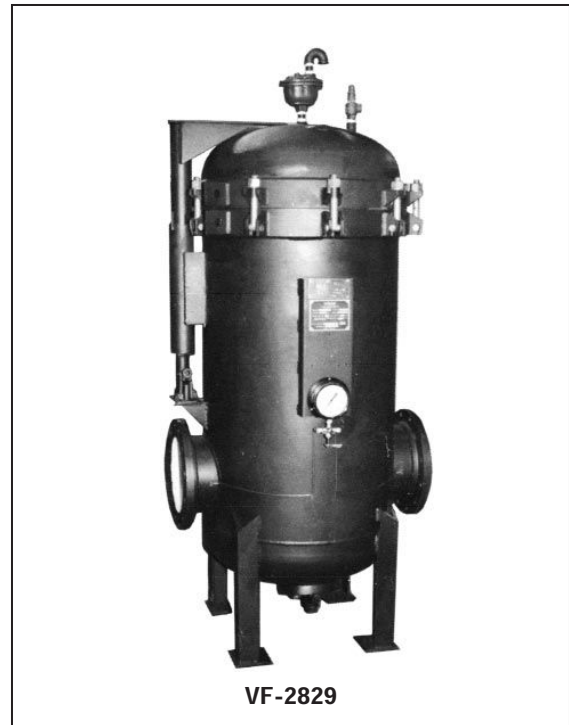


STANDARD DESIGN FEATURES

- 150 psi welded steel ASME Code construction.
- Choice of filter efficiency from 0.5 to 75 microns.
- Choice of pleated or depth type media.
- Epoxy coated interior, primed exterior.
- Buna-N O-ring cover seals.

RECOMMENDED OPTIONAL ACCESSORIES

- Automatic Air Eliminator
- Pressure Relief Valve
- Differential Pressure Gauge
- Drain Valve(s)
- Sampling Probes
- ASME Code Stamp



VF-1614 and larger vessels are provided with swing bolt closure, RF flange connections and fittings for pressure gauge, air eliminator, pressure relief valve and drain valve.



VF-814-844 Filters have through bolt covers, NPT connections, and include fittings for drain, pressure gauge and air vent.

TYPICAL APPLICATIONS

Jet Fuels Diesel Fuels Gasoline

Consult our cartridge data sheets to select the efficiency and type of cartridge that is right for your application – PLF Series (pleated surface type filtration), FG Series (fiberglass depth type filtration), or **Aquacon**® Series (dehydration and filtration).

Clearance Required to Remove Elements

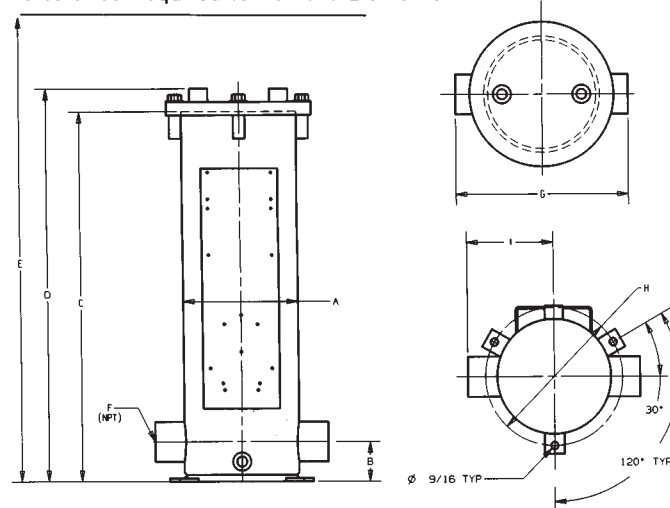


Figure 1

Figure 2

Vessel Model Number	Rated Flow USGPM ¹	614 Series ² Elements		Fig. No.	Dimensions in Inches ³											Weight with Skid, lbs.	Volume U.S. Gallons
		Total Qty.	No. of Stacks		A	B	C	D	E	F	G	H	I	J	K		
VF-814	50	1	1	2	8 ⁵ / ₈	3	27 ³ / ₄	29 ¹ / ₂	43	2	13	10 ³ / ₈	6 ¹ / ₂	—	—	225	5
VF-829	100	2	1	2	8 ⁵ / ₈	3	41 ³ / ₄	43 ¹ / ₂	58	2	13	10 ³ / ₈	6 ¹ / ₂	—	—	265	8
VF-844	150	3	1	2	8 ⁵ / ₈	3	55 ³ / ₄	57 ¹ / ₂	72	2	13	10 ³ / ₈	6 ¹ / ₂	—	—	305	11
VF-1614	200	4	4	1 ⁴	16	15	37 ³ / ₈	40 ³ / ₈	67	4	24 ¹ / ₄	9	7 ⁵ / ₈	—	—	500	22
VF-1629	400	8	4	1 ⁴	16	15	52 ¹ / ₈	55 ⁵ / ₈	82	4	24 ¹ / ₄	9	7 ⁵ / ₈	—	—	560	35
VF-2029	600	12	6	1 ⁴	20	19 ¹ / ₂	56 ¹ / ₂	62	86	6	28	13	7 ¹ / ₂	7 ¹ / ₂	26	1000	67
VF-2044	900	18	6	1 ⁴	20	19 ¹ / ₂	71	76 ³ / ₈	113	6	28	13	7 ¹ / ₂	7 ¹ / ₂	26	1100	88
VF-2829	1200	24	12	1	28	24	48 ¹ / ₂	64 ³ / ₄	73	8	36	18	9	9	35	1500	125
VF-2844	1800	36	12	1	28	24	63 ¹ / ₂	79 ³ / ₄	87 ¹ / ₂	8	36	18	9	9	35	1600	165
VF-3644	2700	54	18	1	36	26	63 ³ / ₈	77	107	10	48	23	12 ¹ / ₂	12 ¹ / ₂	43	2250	288
VF-4244	4050	81	27	1	42	28	66	86 ⁵ / ₈	112	12	54	28	13	13	50	3800	400

- Flow rate is based on FO-614PLF5 (5-micron pleated paper) elements for fluids with a viscosity of up to a maximum of 120 SSU and a clean pressure drop of 2 psi maximum. For other elements and/or higher viscosities, consult our element data sheets or your Velcon Representative.
- VF Series Filters are designed to accommodate our standard 6 in. O.D., 3¹/₂ in. I.D., 14¹/₂ in. long elements that are stacked one, two, or three high. Many elements are available in longer lengths that eliminate stacking. For example, a 44 inch long FO-644PLF1M could be used in place of three 14¹/₂ inch long elements. This makes for easier and less expensive changeouts.
- A number of threaded base filter elements (e.g. FO-644PLF5TB) are available, which allow for easier element changeout and removal of particulate matter from the deckplates. See data sheet # 1549. The threaded base elements mount on the 6000T Adapters.
- Dimensions shown are for estimating purposes only. For exact dimensions, obtain certified drawing.
- VF-16 and VF-20 Series vessels have flat covers. VF-16 Series vessels do not have hydraulic lift jacks.
- Available **Aquacon** Cartridges are the ACO-61401L, ACO-62901L and ACO-64401L.

FISCHER-ROBERTSON, INC.
 3890 Symmes Rd
 Hamilton, OH 45015
 Phone: 513-860-3445
 Fax: 513-860-4744
 e-mail: sales@fischer-robertson.com
 www.fischer-robertson.com

**Liquid Filtration
 and Separation
 Specialists**

OVERSEAS AFFILIATES:
 Frankfurt/M., W. Germany & Singapore