



VC Series Clay Element Vessels

VC Series are for use with Velcon clay elements in applications such as removing surfactants from jet fuel and acids or products of oxidation from lube and hydraulic oils. The standard design is fitted for canister type cartridges with knife seal mounting hardware. Velcon recommends our standard canister design because it offers you the following advantages over the bag type:

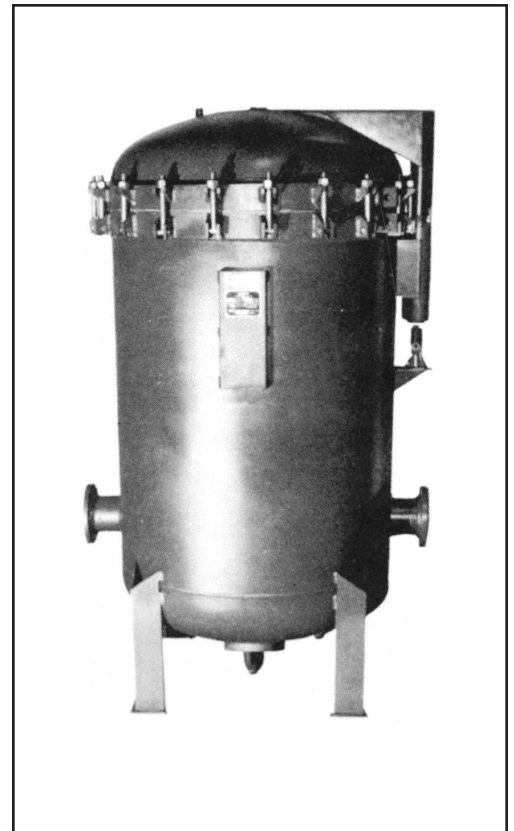
- 1. Positive Cartridge End Seal**
 - prevents contaminated liquid bypass
- 2. Lower Purchase Price**
 - the canister design eliminates the need for costly element standpipes
- 3. Easier, Faster Element Changes**
 - with simple hand tools

OTHER STANDARD DESIGN FEATURES

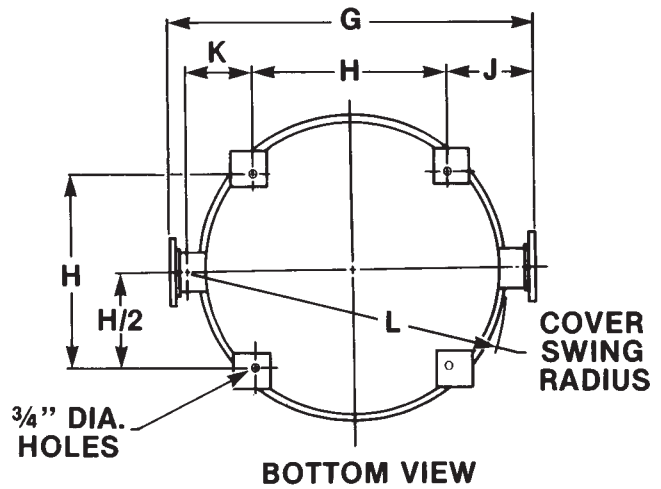
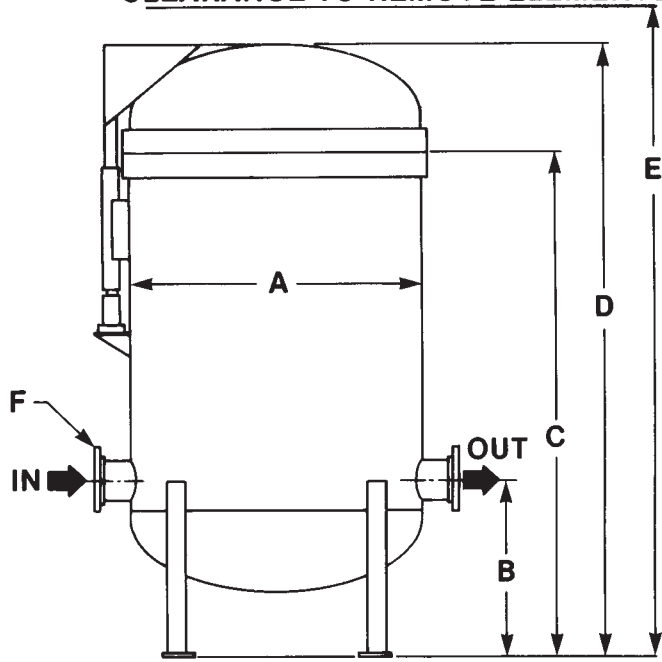
- 150 psi ASME Code construction
- RF flanged connections
- Swing bolt closure with Buna-N O-ring cover seal
- Hydraulic jack cover lift
- Inlet baffle to protect elements
- MIL-C-4556 epoxy coated interior, primed exterior.

OPTIONAL ACCESSORIES

Velcon recommends automatic air vent, pressure relief valve, differential pressure gauge, and drain valves (2 per vessel). Also available are work platforms, rate of flow controls, sampling probes and ASME Code Certification.



CLEARANCE TO REMOVE ELEMENTS



Obtain Certified Hole Pattern Before Pouring Slabs

CLAY VESSELS

Vessel Model No.	Flow Rate (Kerosene)	Cartridges		Dimensions (inches)*											Weight (W/skid) lbs.	Vol. U.S. Gals.
		Model No.	Qty.	A	B	C	D	E	F	G	H	J	K	L		
VC-3636	230	CO-718CE	34	36	25	58	70	82	4	48	23	12 ¹ / ₂	9 ¹ / ₂	43	2125	251
VC-3654	340	CO-718CE	51	36 ⁵ / ₈	25	74 ³ / ₈	91 ¹ / ₄	95	4	48	23	12 ¹ / ₂	9	43	2375	331
VC-4254	465	CO-718CE	72	42	26 ¹ / ₂	77 ¹ / ₂	91	101 ¹ / ₂	6	54	28	13	11	49	3000	468
VC-4854	600	CO-718CE	93	48	28	79 ¹ / ₄	104 ³ / ₈	100	6	60	32	14	10 ¹ / ₂	56	3500	626
VC-5454	800	CO-718CE	120	54	29	80	97	104	6	66	36 ¹ / ₂	14 ³ / ₄	12 ³ / ₄	61	4100	813
VC-6054	1050	CO-718CE	150	61	31	82	104 ⁷ / ₁₆	102	8	72	41	15 ¹ / ₂	11 ⁷ / ₈	68	4750	1028
VC-6654	1200	CO-718CE	183	67	36	87 ¹ / ₈	118 ⁷ / ₈	108	8	78	45 ¹ / ₂	16 ¹ / ₄	12 ⁵ / ₈	75	6500	1275

*Dimensions are shown for estimating purposes. For exact dimensional detail, obtain certified copy of Vessel Drawing.

Note: For tight spaces, clearance to remove clay cartridge is only 2 feet above flange break.

FISCHER-ROBERTSON, INC
 3890 Symmes Rd.
 Hamilton, OH 45015
 Phone: 513-860-3445
 Fax: 513-860-4744
 e-mail: sales@fischer-robertson.com
 www.velcon.com

*Liquid Filtration
 and Separation
 Specialists*

OVERSEAS AFFILIATES:
 Frankfurt/M., W. Germany & Singapore