

Low cost protection against dirt and water contamination of jet, gasoline, and diesel fuels.

STANDARD DESIGN FEATURES

- Air Vent and Drain Valves
- Epoxy Coated Interior, Primed Exterior
- Threaded Base Coalescer Cartridge
- 100 PSI Design Pressure
- Choice of Three Second Stage Cartridge Options
- Differential Pressure Gauge
- Leg Assembly

OPTIONAL FEATURES

- Male and Female Pipe Union
- Velcon CDF[®] Series Elements

The Velcon V818 series is designed for assuring CLEAN and DRY FUEL delivery at smaller installations. This compact unit will meet the effluent clarity requirement of MIL-F-8901 when operated and drained properly. Positive protection against water transmission when the filter/separator is overloaded can be achieved by use of the Velcon CDF[®] Series elements option inside a Teflon[®] coated screen second stage. This option provides in a single vessel the performance which normally requires both a filter/separator vessel and a monitor vessel, and effluent clarity will meet API/IP-1583 Monitor Specs.

Installation is easy using standard pipe couplings. Male and female pipe union is available as an accessory for connection to the outlet to facilitate the installation and provide for quick cartridge changeout.



**Threaded Base
Coalescer**

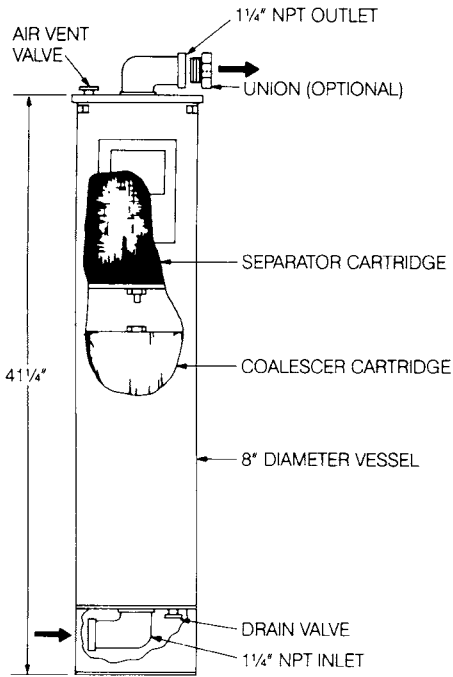
**Teflon[®] Coated
Screen Separator
With CDF[®] Elements**



**Pleated Paper
Separator**

**Teflon Coated
Screen Separator**

[®] Teflon is a registered trademark of E.I. du Pont de Nemours & Co., Inc.
[®] CDF is a registered trademark of Velcon Filters, Inc.



Model V818 Used With:	Flow Rates (USGPM)
Kerosene	
With CDF® Elements	50
Without CDF® Elements	40
Gasoline	60
Diesel Fuel	23

Options for Cartridges and Accessories	Part Number for Model V818002	Part Number for Model V818001 (inc CDF Hardware)
Coalescer Cartridge (1 required per vessel) For use with jet fuel, gasoline For use with diesel fuel	I-6186T I-6184T	I-6186T N/A
CDF Elements (5 required per vessel)	N/A	CDF-210K
Separator Cartridge (1 required per vessel) Teflon coated screen Teflon coated screen (no provision for CDF elements) Pleated paper (no provision for CDF elements)	N/A SO-611C SO-611PLF3	SO-613GS N/A N/A
Accessories 1 1/4" male & female pipe union Spare CDF elements (5 per set required)	71607 N/A	71607 CDF-210K

PLEASE NOTE THAT YOU MUST SPECIFY ALL COMPONENTS REQUIRED

Sample specification: For a 50 gpm Jet Fuel filter/separator with CDF Series elements, differential pressure gauge, pipe union, one spare coalescer cartridge and a spare set of CDF elements, specify the following:

Quantity	Part #	Description
1	V818001	Filter/Separator Vessel-50 gpm Jet Fuel
2	I-6186T	Coalescer Element (one spare)
1	SO-613GS	Separator Cartridge
1	71607	Pipe Union
10	CDF-210K	CDF Series Elements (original plus spare set)
1	G-1045	Lid Gasket



FISCHER-ROBERTSON, INC.
Filtration & Separation
3890 Symmes Rd.
Hamilton, OH 45015
Phone: 513-860-3445
Fax: 513-860-4744
e-mail: sales@fischer-robertson.com
www.fischer-robertson.com

OVERSEAS AFFILIATES:
Frankfurt/M., Germany & Singapore

**Liquid Filtration
and Separation
Specialists**