



Fischer-Robertson, Inc.
 3890 Symmes Road
 Hamilton, Ohio 45015
 p: 513-860-3445
 f: 513-860-4744
 sales@fischer-robertson.com
 www.fischer-robertson.com

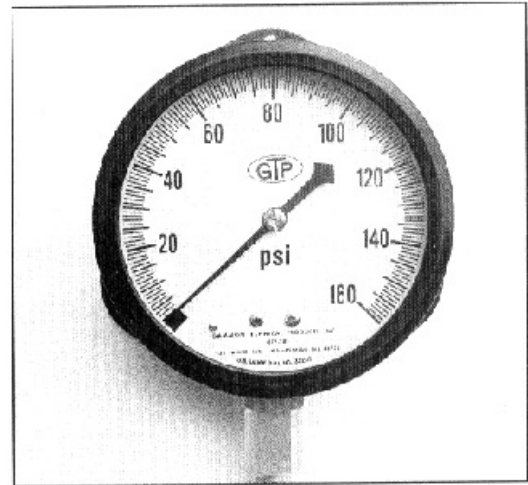
PRESSURE
 GAUGES
 BULLETIN 92
 (6-03)

4½" FACE, BACK FLANGE MOUNTED

MODEL NO.	RANGE, PSI
GTP-281A	0-100
GTP-281B	0-160
GTP-281C	0-300
GTP-281F	30"HgVac- 0-150

SPECIFICATIONS:

Case:	Cast Aluminum w/blowout grommet
Bezel Ring:	Polypropylene, snap-on
Window:	Acrylic
Pointer:	Slotted hub, adjustable
Bourdon Tube:	Phosphor bronze
Connection:	¼" NPT, brass
Accuracy:	1% of span



3-WAY VALVE for Pressure Drop Tests

Model GTP-2305 3-WAY BALL VALVE was designed to assure you that pressure drop data will be obtained correctly.

Now you can get reliable pressure drop data from inexperienced personnel.

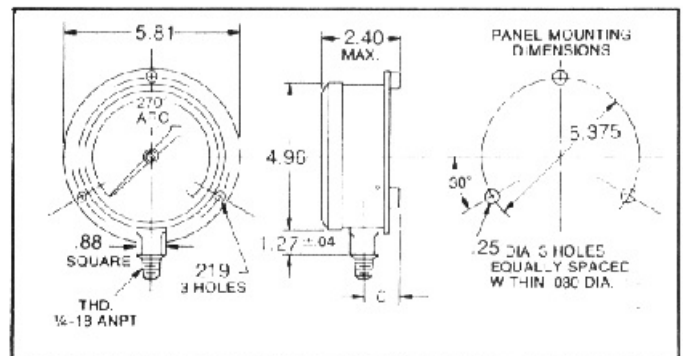
Model GTP-2305 is made of stainless steel, sealed with teflon orings.

ORDERING INFORMATION

3-Way Selector Valve, ¼" NPT female - Model GTP-2305

Brass Connectors	Tubing Size	Model No.
Straight	1/4"	B-400-1-4
Straight	3/8"	B-600-1-4
Elbow	1/4"	B-400-2-4
Elbow	3/8"	B-600-2-4

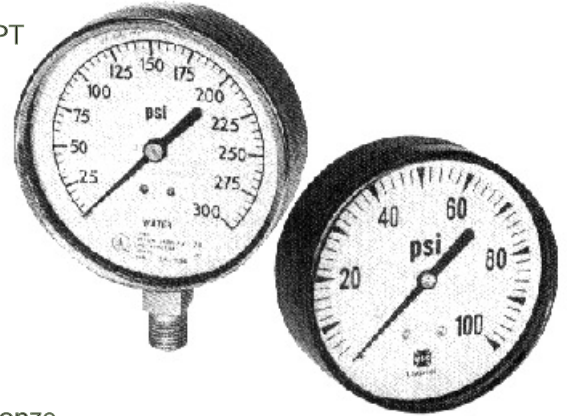
BACK FLANGE MOUNT



Protect your gauge investment with a snubber - Reduce pressure pulsations which wear out your gauge
 The snubber fits on the gauge connection and absorbs pressure surges
 Stainless snubber GTP-2607S Brass snubber GTP-2607B

1½",2",2½" FACE, STEM MOUNTED

Model No.	Face Dia.	Range PSI	Connection	Size " NPT
GTP-1174	1½	0-100	Center back	1/8
GTP-2954A	2	0-60	Center back	1/4
GTP-2954B	2	0-100	Center back	1/4
GTP-2954C	2	0-160	Center back	1/4
GTP-686A	2	0-60	Lower	1/4
GTP-686C	2	0-160	Lower	1/4
GTP-686D	2	0-300	Lower	1/4
GTP-686F	2	30"HgVac - 0-150	Lower	1/4
GTP-2955B	2½	0-100	Lower	1/4
GTP-2955C	2½	0-160	Lower	1/4



SPECIFICATIONS:

Case:	Drawn Steel	Pointer:	Aluminum
Bezel Ring:	Drawn Steel	Bourdon Tube:	Phosphor bronze
Window:	Flat Glass	Connection:	Brass
		Accuracy:	3% of span

STAINLESS STEEL STEM MOUNTED

Model No.	Face Dia."	Range, PSI	SPECIFICATIONS:
GTP-707B	2½	0-100	Case: Drawn 316 Stainless Steel
GTP-707C	2½	0-160	Bezel Ring: Drawn Stainless
GTP-707D	2½	0-300	Window: Flat Glass
GTP-2956B	3½	0-100	Pointer: Aluminum, adjustable
GTP-2956C	3½	0-160	Bourdon Tube: 316 Stainless steel
GTP-2956D	3½	0-300	Connection: ¼" NPT, 316 Stainless steel
GTP-3215B	2	30" HgVac - 0-150	

LIQUID FILLED PRESSURE GAUGES

Steady Pointer Reading Even When Pressure is Pulsating or in Cases of Excessive Vibration

4" Face Diameter / Type 316 Stainless Steel / ½" NPT
Stem Mounted / Adjustable Pointer / Shatter Resistant
Gasketed Window / ± 1% of Range Accuracy / Silicone
Filled

Model No.	Range, PSI
GTP-5866	0-100
GTP-5867	0-160
GTP-5868	0-300

2½" Face Diameter / ¼" NPT Stem Mounted / Plastic
Window / Stainless Steel Case / ± 3 2/3% of Range
Accuracy / Silicone Filled

Model No.	Range, PSI	Internals
GTP-5873	0-100	Brass/Bronze
GTP-5874	0-100	316 S/S
GTP-5875	0-160	Brass/Bronze
GTP-5876	0-160	316 S/S

