

Fulflo® "TC" Series Single Cartridge Filter Vessels

■ Stainless Steel

Single Cartridge Filter Vessel Series

Fulflo® Single Cartridge Stainless Steel Vessels Are for use with SOE-222 Style Filter Cartridges.

The SSTC models have a 316 stainless steel shell and a four-boss 316 stainless steel head for applications where an all-stainless steel construction is required. The vessels feature a head which accepts SOE TC style filter cartridges which eliminates the possibility of fluid bypass.

The vessels are sealed using a ring type threaded closure which requires no special tools to change the cartridges.

Applications

- UHP Water
- DI Water
- Bottled Water
- Solvents
- Chemicals
- Potable Liquid
- Beverages
- Parts Washer



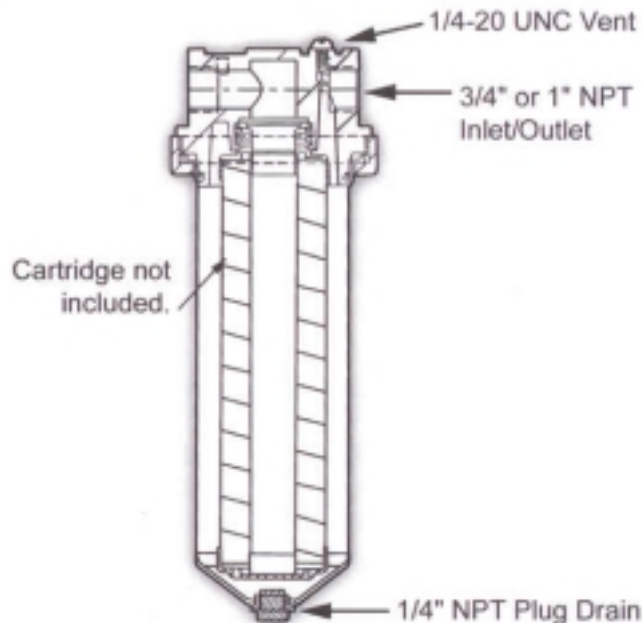
Features and Benefits

- Threaded ring closure for quick cartridge change.
- 222 seal cup for TC and competitive cartridge sealing (M3, Code 3, Code 0).
- Integrally cast brackets for easy mounting.
- Standard Buna-N closure o-ring material with optional Viton, EPR and Silicone available.
- Available for use with 10", 20" & 30" cartridge lengths.
- Vessel has no internal parts.
- Cartridge seating is positive and can be checked prior to closing.
- All components have electropolished finish.

Process Filtration Division



Single Cartridge Filter Vessel Series



■ Design Specifications

Model	Typical Aqueous Flow (gpm)	Length of Cartridge (in)	Operating Pressure (psi@250°F)	Overall Height (in)	Outside Diameter Face to Face (in)	Pipe Size (NPT) (in)	Shipping Weight (lbs)
SSTC10-075	5	10	200 psi (13.8 bar)	12.25	3.50	.75	7.80
SSTC20-075	10	20	200 psi (13.8 bar)	22.38	3.50	.75	9.00
SSTC30-075	15	30	200 psi (13.8 bar)	32.50	3.50	.75	10.20
SSTC10-100	5	10	200 psi (13.8 bar)	12.25	3.50	1.00	7.80
SSTC20-100	10	20	200 psi (13.8 bar)	22.38	3.50	1.00	9.00
SSTC30-100	15	30	200 psi (13.8 bar)	32.50	3.50	1.00	10.20

Optional Seals Provided as Separate Item

Viton	P/N 4152-8236
EPR	P/N 4154-5236
Silicone	P/N 4151-4236

Ordering Information

SS	TC	10	075	
Design Series	Cartridge seal	Cartridge Length (in)	Connection Size	Closure Seal
316 SS Shell & Head	222 o-ring	10 = 10 20 = 20 30 = 30	075 = 3/4 in FNPT 100 = 1 in FNPT	Buna-N (standard)

Bracket Assembly Kit P/N 0820-5060 included.
Flanges provided as optional item. (Consult factory for pricing.)

Fischer-Robertson, Inc
3890 Symmes Road
Hamilton, Ohio 45015
p: 513-860-3445
f: 513-860-4744
sales@fischer-robertson.com
www.fischer-robertson.com

