

Fulflo® WY Filter Housings

- Iron and Steel
- Stainless Steel

Multi-Cartridge Filter Housing Series

Fulflo® WY Multi-Cartridge Filter Housings Suitable for a Wide Range of Industrial Applications

Fulflo® WY Multi-Cartridge Filter Housings are specifically designed for the filtration of liquids used in inks and paints and are also suitable for other industrial applications. The WY housing series can be quickly disassembled for fast and easy cleaning and servicing.

WY Filter Housings accommodate either double-open-end (DOE) or single-open-end (SOE) filter cartridges in 10 in, 20 in and 30 in lengths.

Applications

- Inks
- Paints & Coatings
- Liquid Fuels
- Food & Beverage
- Pharmaceuticals
- Liquid Chemicals
- Petro Chemicals
- Mineral & Vegetable Oils
- Hydraulic Fluids

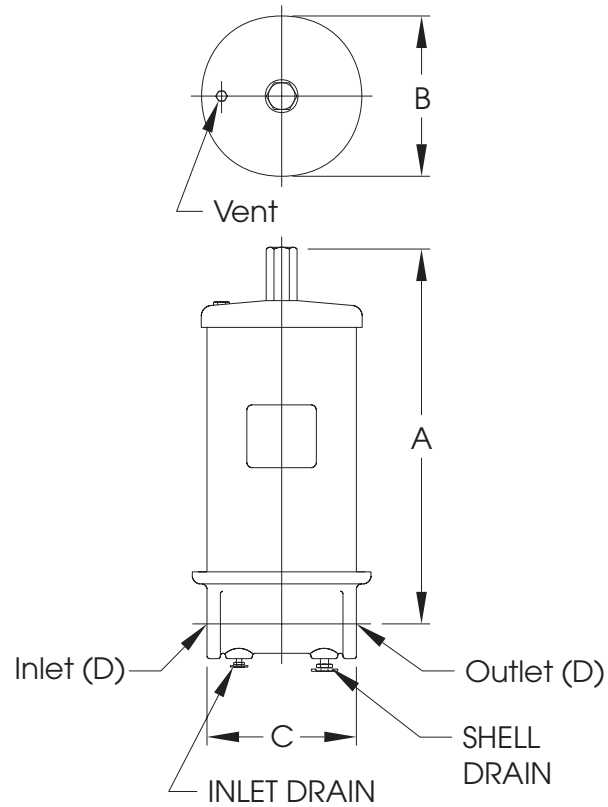


Design Features

- In-line pipe connections for easy installation.
- Vents and drains standard on all models.
- Single center bolt construction allows filter head and shell separation for quick servicing and easy cleaning.
- Standard Buna-N flat gasket with optional Viton,* Teflon* or asbestos substitute gaskets.
- Flow rates to 90 gpm (341 lpm).
- Vents are 1/4-18 NPT with cock.
- Maximum operating pressure is 150 psi (10.3 bar) at 150°F (66°C).
- WY3 models have one 3/8-18 NPT body drain and one 1/4-NPT inlet drain.
- WYF models have two 1/2-14 NPT body drains and two 1/4-18 NPT inlet/outlet drains.

Process Filtration Division

Multi-Cartridge Filter Housing Series



Design Specifications

Models		Maximum Flow Rate [†] (gpm)	No. & Length of Cartridges (in)	Dimensions (in)			D (NPT)	Shipping Weight (lbs)
Iron & Steel	Stainless Steel			A	B	C		
WY3S-10-1-1/2	WY3SS-10-1-1/2	15	(3) 10	17-5/8	7-9/16	6-5/8	1-1/2	46
WY3DS-10-1-1/2	WY3DSS-10-1-1/2	30	(3) 20	27-5/8	7-9/16	6-5/8	1-1/2	62
WYFS-10-2	WYFSS-10-2	30	(6) 10	18-3/4	9-3/8	8	2	68
WYFDS-10-2	WYFDSS-10-2	60	(6) 20	28-3/4	9-3/8	8	2	94
WYFTS-10-2	WYFTSS-10-2	90	(6) 30	38-3/4	9-3/8	8	2	120

[†] Rated liquid capacity based on initial pressure drop of 3 psi (0.2 bar) with a 20µm cotton wound depth cartridge and fluid viscosity equivalent to water. Flow rates for other fluids vary according to nature of fluid, contaminant, degree of clarity desired and operating conditions. Particle removal curves are available to help figure pressure drop and cleaning efficiency for every application.

Supplemental Data

Raised face flanges can be supplied to mate with flanged piping. Add F suffix.

Ordering Information

WY	3	D	S	—	10	2F
Design Series	Number of Columns	Cartridge Length (in)	Material		Standard	Inlet/Outlet Size
	3 = 3 F = 6	No Symbol = 10 D = 20 T = 30	S = Carbon Steel SS = 316 Stainless Steel			F = Flanged No Symbol = NPT

* A trademark of E. I. du Pont de Nemours & Co.

Fischer-Robertson, Inc
 3890 Symmes Road
 Hamilton, Ohio 45015
 p: 513-860-3445
 f: 513-860-4744
 sales@fischer-robertson.com
 www.fischer-robertson.com