

# Fulflo® FE Filter Housings

- Carbon Steel
- 304L and 316L Grade Stainless Steel

## Multi-Cartridge Filter Housing Series

### FE Model Cartridge Filter Housings Designed for Economical Filtration of Liquids and Gases

The FE Filter Housing Series accommodates double-open-ended (DOE) and single-open-ended filter cartridges in 10 in, 20 in and 30 in lengths.

#### Applications

- Potable Water
- Process Water
- Edible Oils
- Coatings
- Lubricants
- Coolants
- Cutting Oils
- Solvents



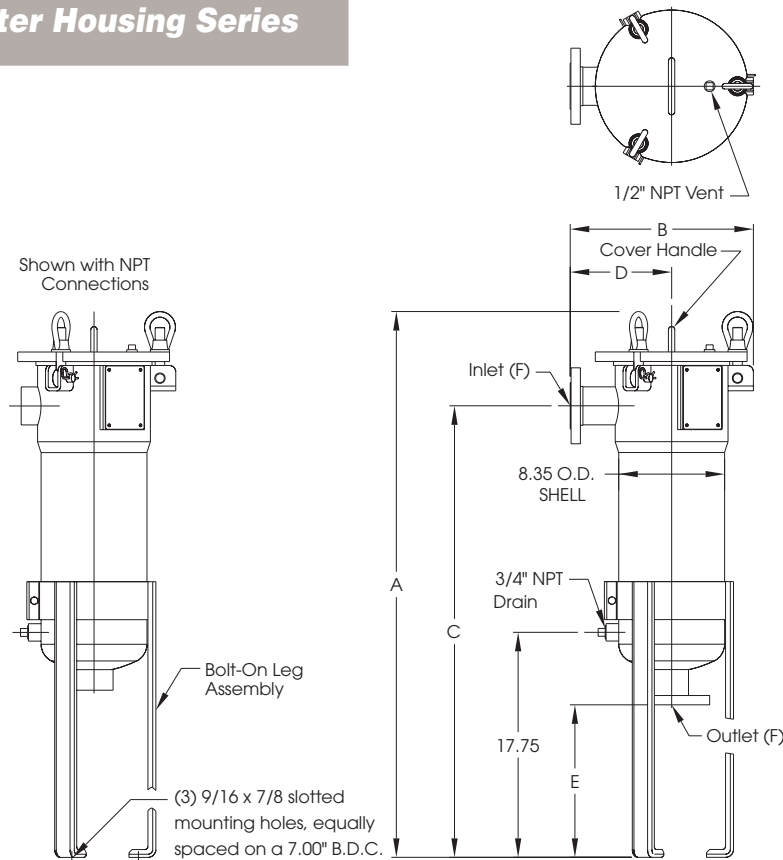
#### Design Features

- Single O-ring design closure assures quick, positive cover sealing.
- Swing bolts with eyenuts for fast, easy opening and closing of cover.
- Maximum design pressure and temperature is 150 psig (10.3 bar) at 450°F\* (232°C) and 200 psig at 100°F (38°C) plus full vacuum.
- Buna-N O-ring standard with EPR, Viton\*\* and Teflon\*\* available.
- ASME Code UM stamp is standard (U stamp is optional).
- Threaded vent and drain connections.
- Adjustable leg height.
- Threaded or flanged inlet and outlet.
- Side inlet; cover opens without disconnecting piping.
- Side inlet, bottom outlet and crevice-free welded design provide a smooth interior for easy wash-out and cleaning.

### Process Filtration Division



# Multi-Cartridge Filter Housing Series



## Design Specifications

| Model    | No. & Length of Cartridges (in) | Typical Aqueous Flow† (gpm) | Dimensions (in) |       | C     | D    | E     | F     | Shipping Weight (lbs) | Volume (gal) |
|----------|---------------------------------|-----------------------------|-----------------|-------|-------|------|-------|-------|-----------------------|--------------|
|          |                                 |                             | A               | B     |       |      |       |       |                       |              |
| FE6-1-2  | (6) 10                          | 30                          | 33.00           | 12.25 | 25.56 | 5.75 | 13.19 | 2 NPT | 82                    | 3.6          |
| FE6-1-2F | (6) 10                          | 30                          | 33.00           | 14.50 | 25.56 | 8.00 | 12.00 | 2 NPS | 90                    | 3.6          |
| FE6-2-2  | (6) 20                          | 60                          | 43.06           | 12.25 | 35.63 | 5.75 | 13.19 | 2 NPT | 87                    | 5.4          |
| FE6-2-2F | (6) 20                          | 60                          | 43.06           | 14.50 | 35.63 | 8.00 | 12.00 | 2 NPS | 95                    | 5.4          |
| FE6-3-2  | (6) 30                          | 90                          | 53.13           | 12.25 | 45.69 | 5.75 | 13.19 | 2 NPT | 92                    | 7.8          |
| FE6-3-2F | (6) 30                          | 90                          | 53.13           | 14.50 | 45.69 | 8.00 | 12.00 | 2 NPS | 100                   | 7.8          |
| FE6-3-3F | (6) 30                          | 90                          | 53.13           | 14.50 | 45.69 | 8.00 | 11.75 | 3 NPS | 110                   | 7.8          |

† Actual rate is dependent on fluid viscosity, micron rating, contaminant and media type. Consult flow charts for each application.

## Ordering Information

| 4L              | FE    | 6                 | 3                                 | 2F                       |
|-----------------|-------|-------------------|-----------------------------------|--------------------------|
| Material        | Model | Number of Columns | Number of 10 in Cartridges/Column | Inlet/Outlet Flange Size |
| None = Carbon   |       |                   |                                   |                          |
| Steel           |       |                   | 1                                 | 2                        |
| 4L = 304L       |       |                   | 2                                 | 3                        |
| Stainless Steel |       |                   | 3                                 | No F = NPT               |
| 6L = 316L       |       |                   |                                   |                          |
| Stainless Steel |       |                   |                                   |                          |

\* Operating temperature limited to 250°F (121°C) by standard Buna-N O-ring and exterior paint on carbon steel models. Optional O-ring materials are available.

\*\* A trademark of E. I. du Pont de Nemours & Co.

Fischer-Robertson, Inc  
 3890 Symmes Road  
 Hamilton, Ohio 45015  
 p: 513-860-3445  
 f: 513-860-4744  
 sales@fischer-robertson.com  
 www.fischer-robertson.com